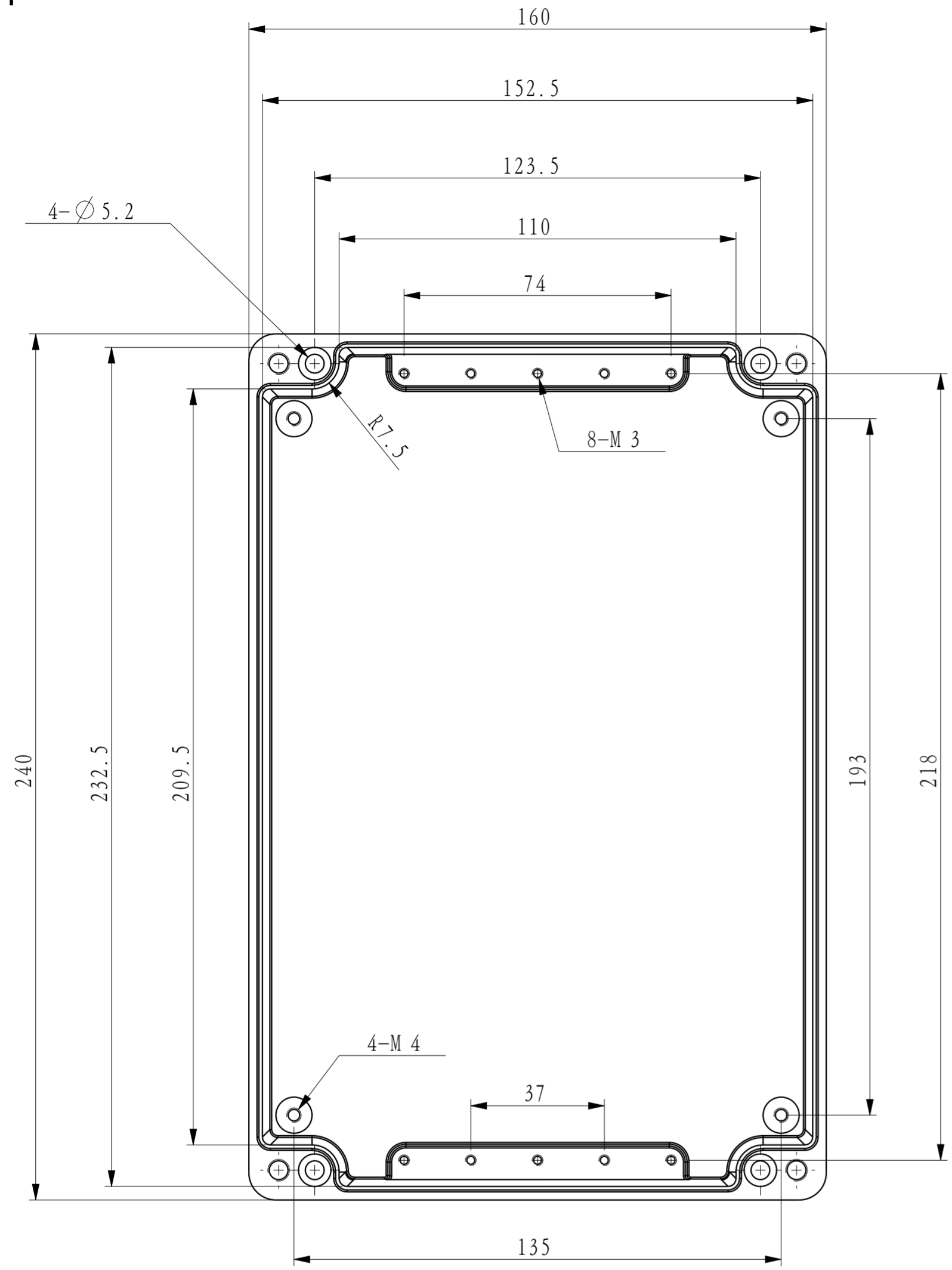
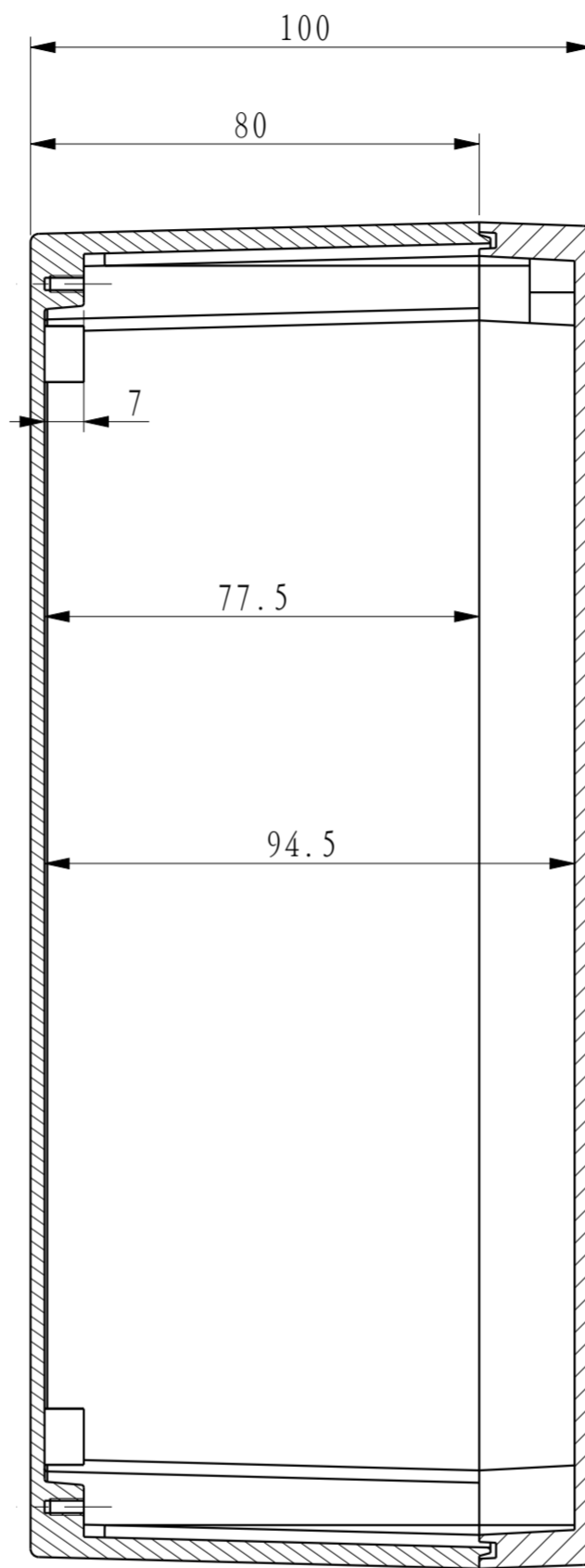


PROPRIETARY INFORMATION  
 THIS DRAWING IS THE PROPERTY OF REICON ENCLOSURES.  
 DISCLOSURE OR REPRODUCTION OF THE INFORMATION ON  
 THIS DRAWING IS PROHIBITED WITHOUT PRIOR WRITTEN  
 CONSENT OF REICON ENCLOSURES.

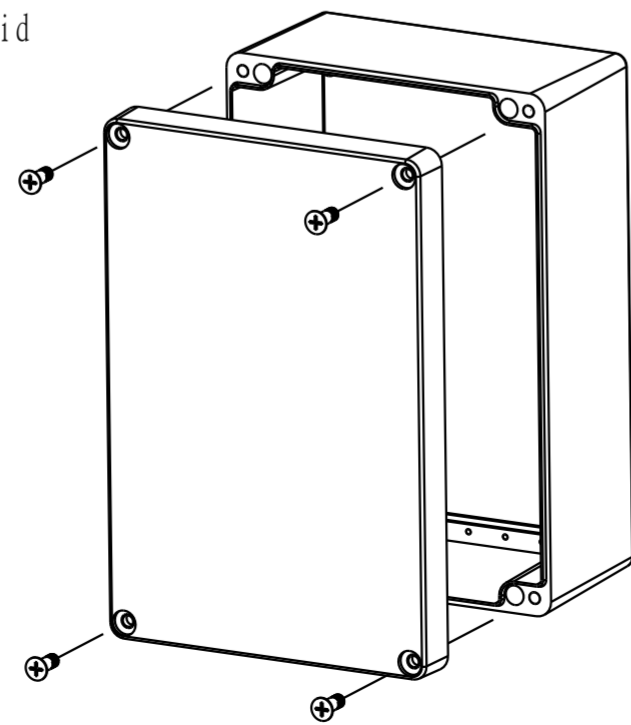
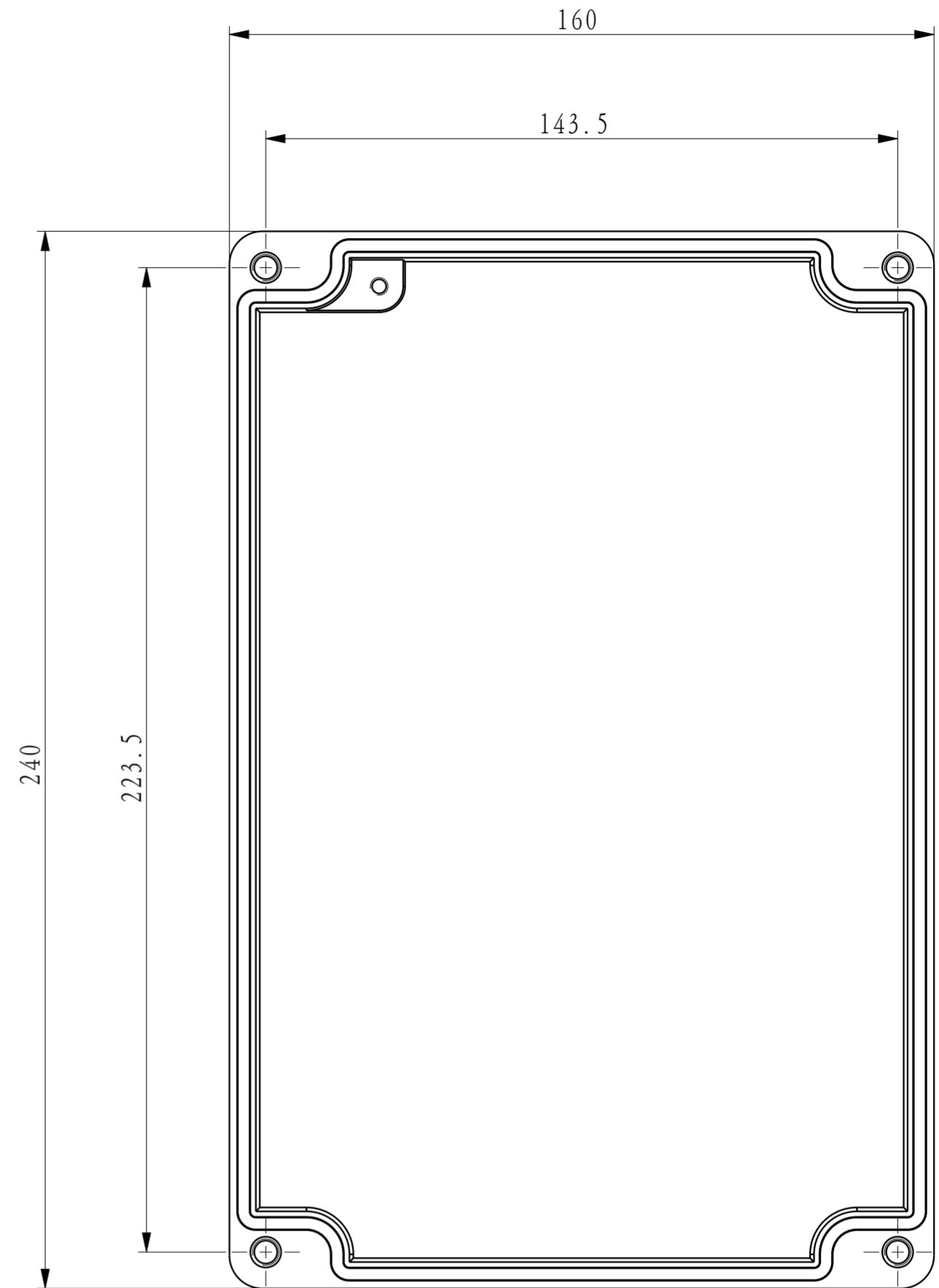
REVISIONS			DATE	BY
E.C.O.	ZONE	REV.	DESCRIPTION	



Top View With Removed Lid



Section View Of ASM.



http://www.reicon.com.cn	MATERIAL	AlSi12	APPROVALS	DATE	北京瑞康华泰电子设备有限公司 Reicon BEIJING REICON ELECTRONICS EQUIPMENT CO., LTD.
	COLOR	Grey	DRAWN		
DO NOT SCALE DRAWING 部分图元可能未按比例绘制	THIS DRAWING IS ONLY FOR YOUR REFERENCE 图上尺寸仅供参考, 请以实际产品为准		CHECKED		TITLE
			CUSTOMER		Aluminum Enclosure
			DIMENSIONS ARE IN MILLIMETER		DWG. NO. 04.008D
					PROJECTION TYPE
					SHEET 1 OF 1
					SIZE A2