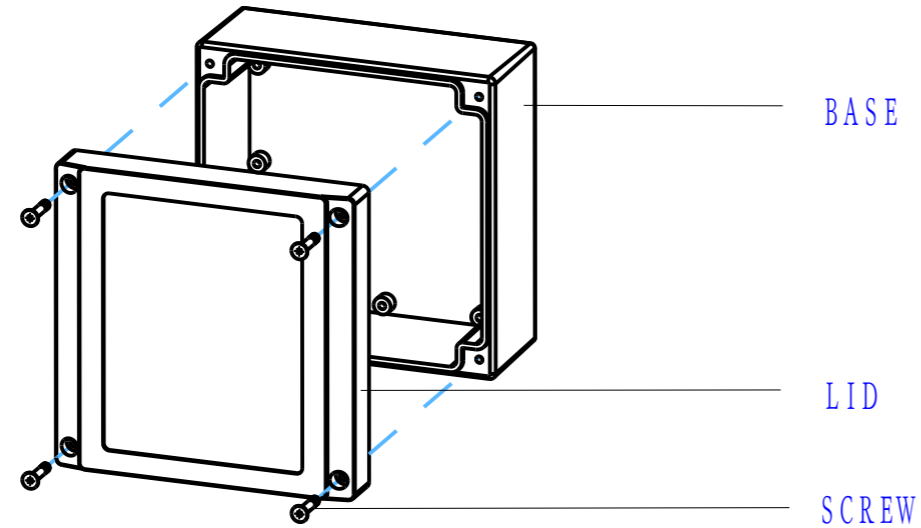
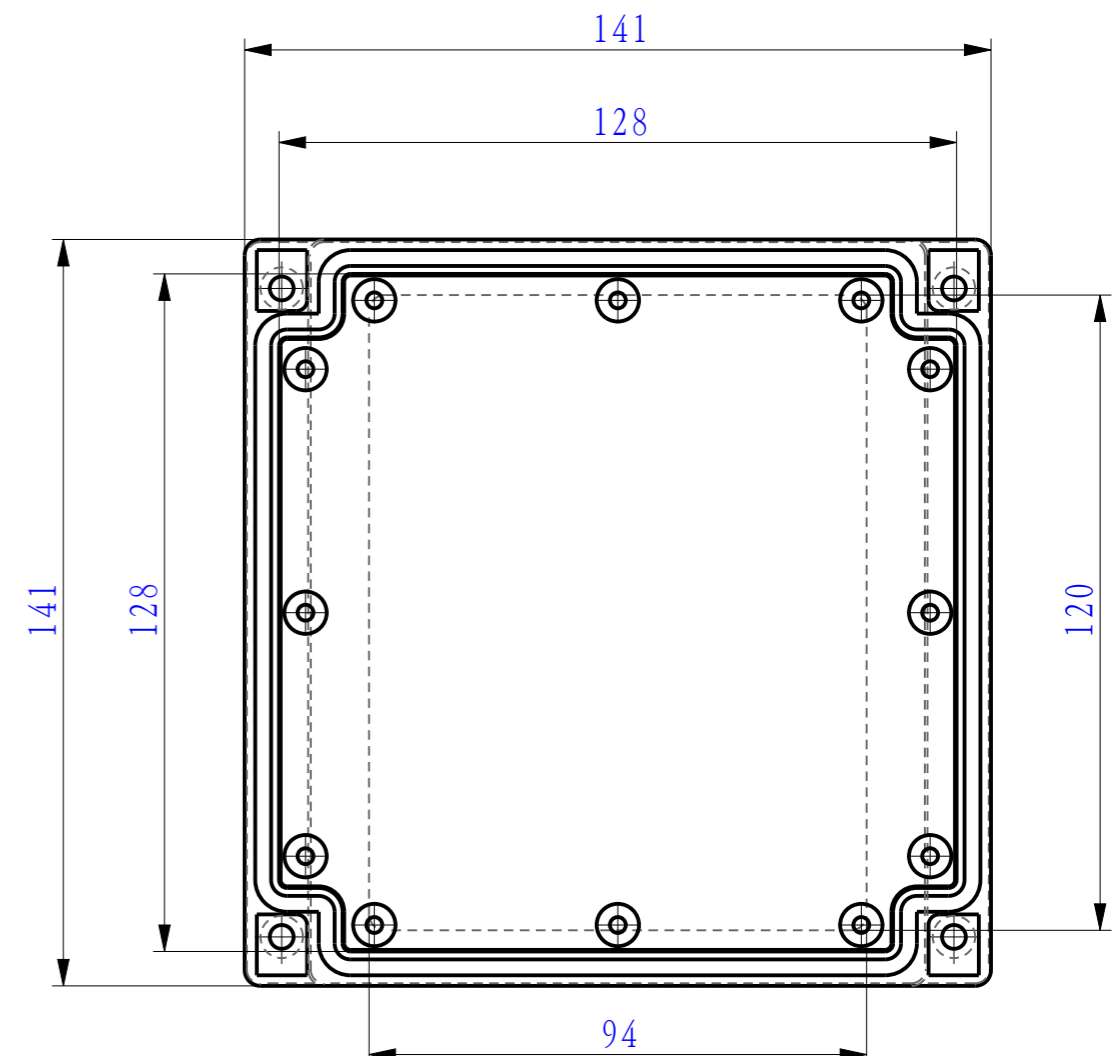
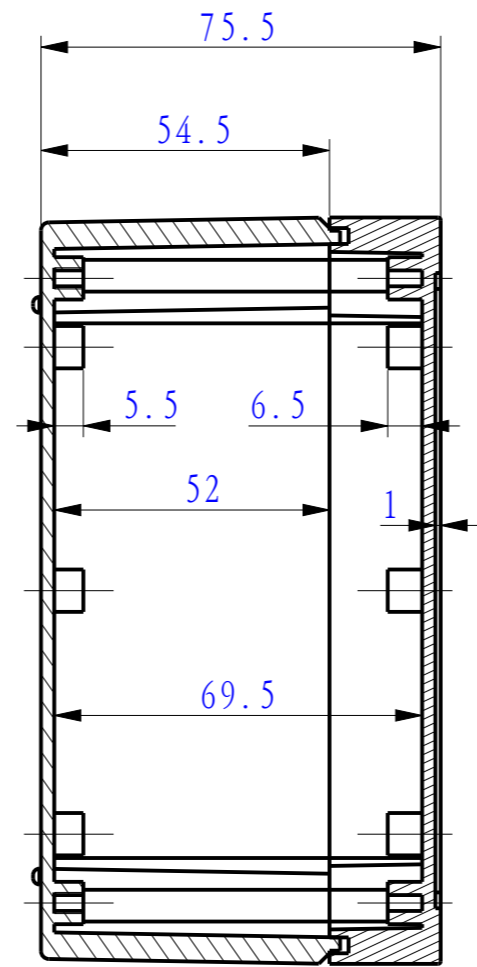
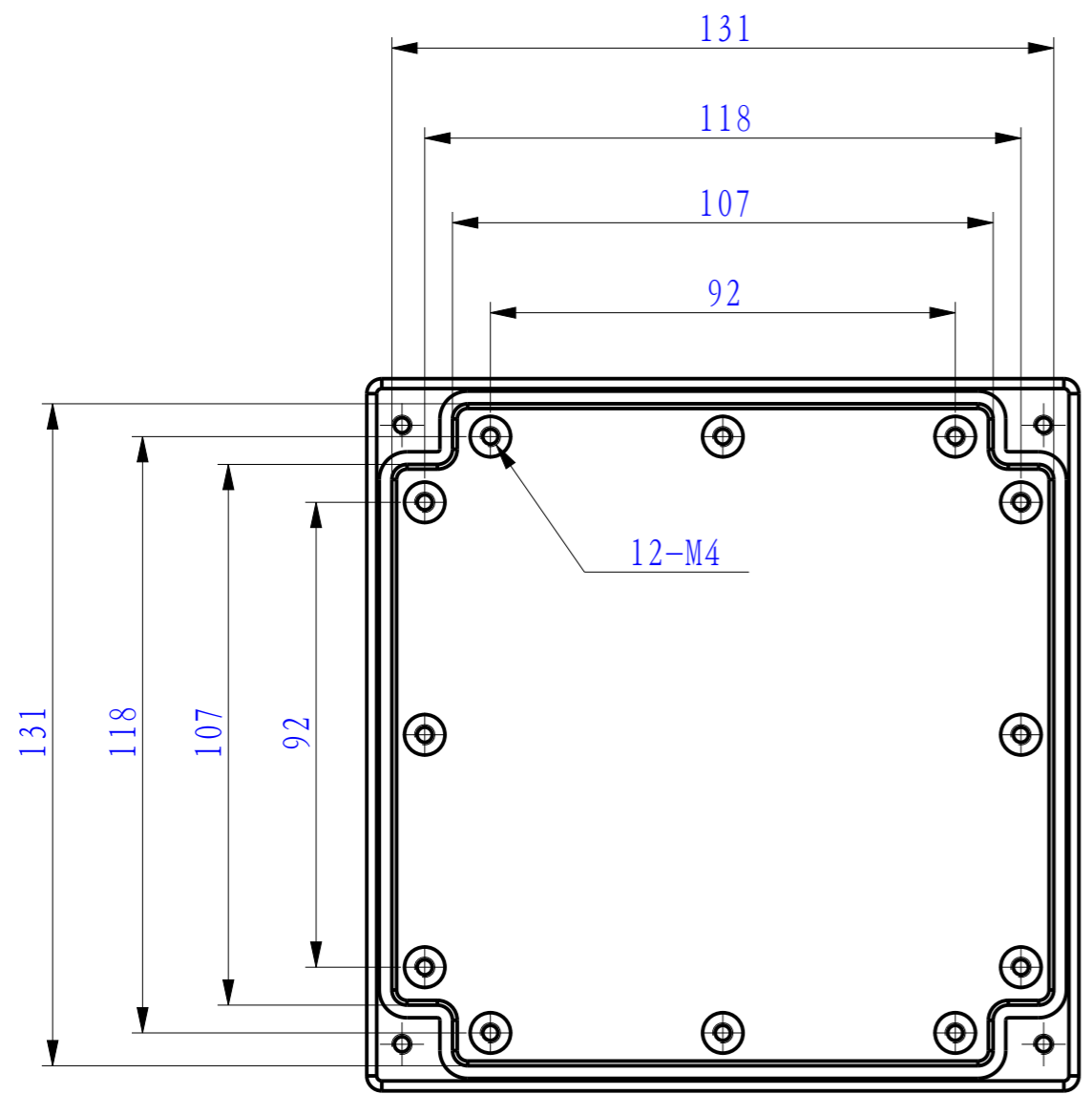


PROPRIETARY INFORMATION  
 THIS DRAWING IS THE PROPERTY OF BOXTECH ELECTRICAL.  
 DISCLOSURE OR REPRODUCTION OF THE INFORMATION ON  
 THIS DRAWING IS PROHIBITED WITHOUT PRIOR WRITTEN  
 CONSENT OF BOXTECH ELECTRICAL.

REVISIONS			DATE	BY
E.C.O.	ZONE	REV.	DESCRIPTION	



	MATERIAL	ALSI12	APPROVALS	DATE	重庆博斯泰克电气有限公司 ChungKing BoxTech Electrical Co., Ltd.
	COLOR	GREY	DRAWN	CHECKED	
DO NOT SCALE DRAWING 部分图元可能未按比例绘制	THIS DRAWING IS ONLY FOR YOUR REFERENCE 图上尺寸仅供参考，请以实际产品为准		CUSTOMER		DWG. NO.
DIMENSIONS ARE IN MILLIMETER			DRAWN		04.017A
			CHECKED		REV.
			CUSTOMER		PROJECTION TYPE
					SHEET 1 OF 1
					SIZE A3