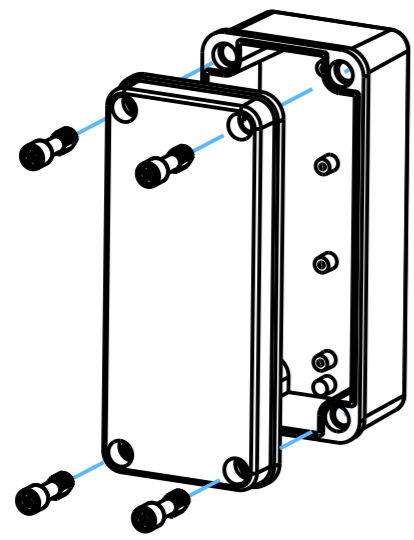
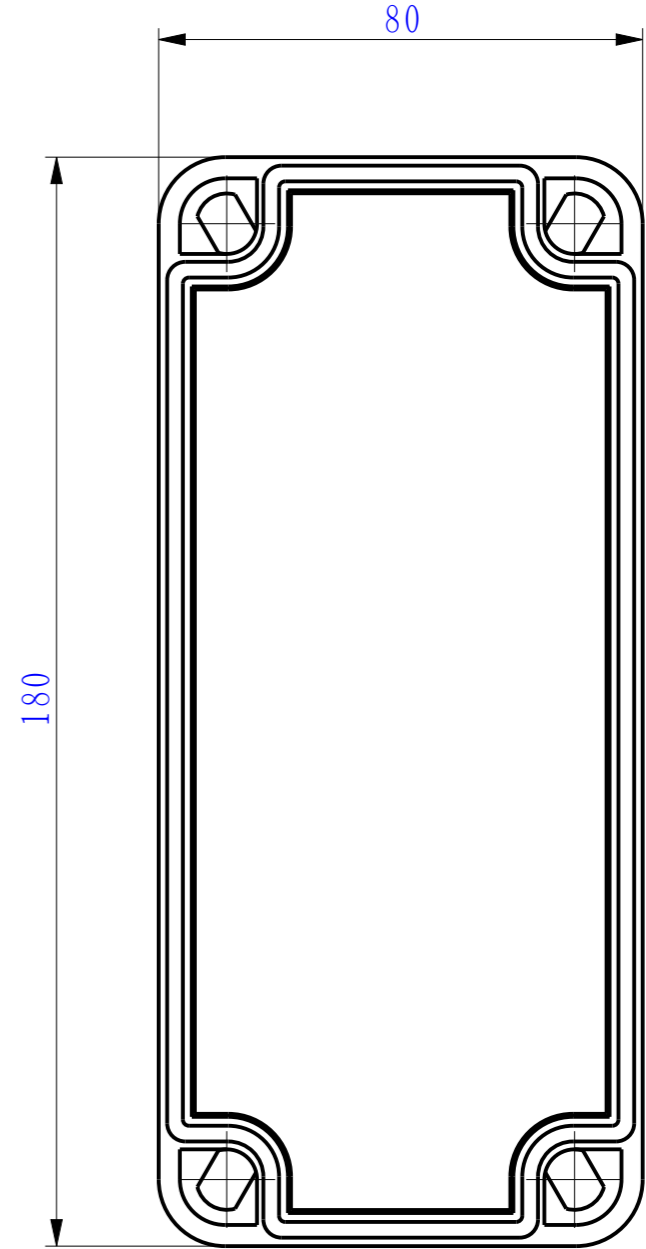
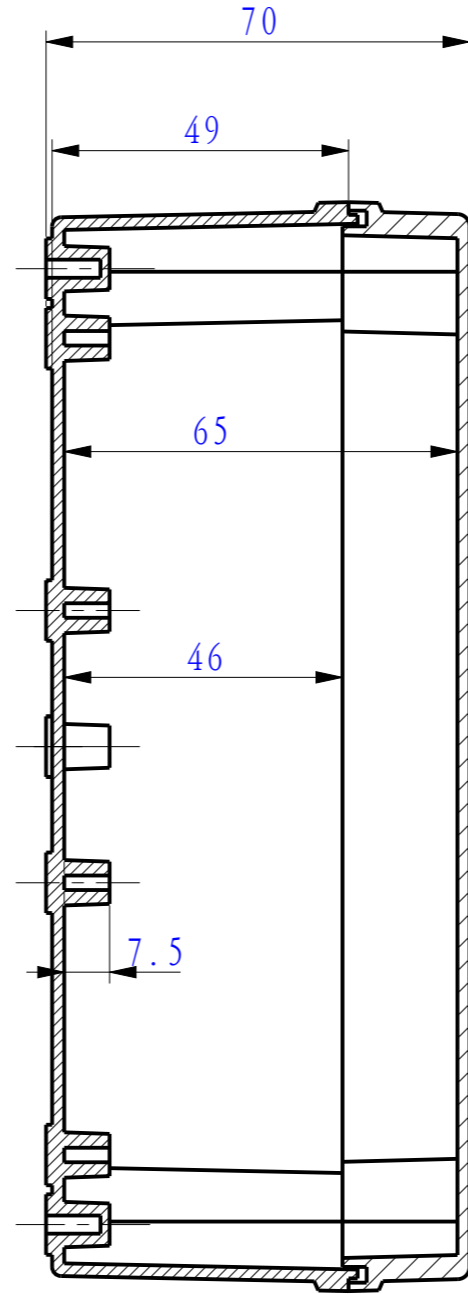
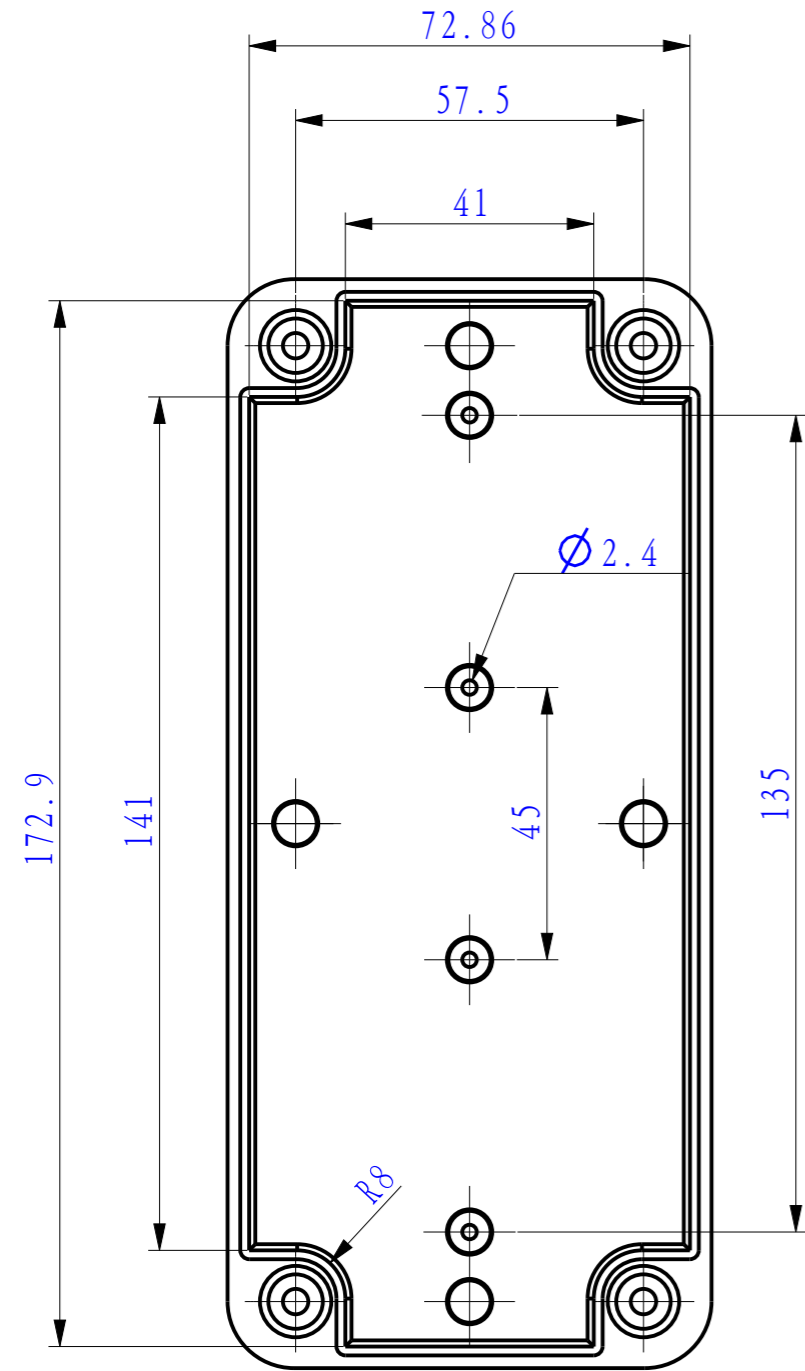


PROPRIETARY INFORMATION
 THIS DRAWING IS THE PROPERTY OF BOXTECH ELECTRICAL.
 DISCLOSURE OR REPRODUCTION OF THE INFORMATION ON
 THIS DRAWING IS PROHIBITED WITHOUT PRIOR WRITTEN
 CONSENT OF BOXTECH ELECTRICAL.

REVISIONS				DATE	BY
E.C.O.	ZONE	REV.	DESCRIPTION		



	MATERIAL	APPROVALS	DATE	重庆博斯泰克电气有限公司 ChungKing BoxTech Electrical Co., Ltd.
	COLOR	DRAWN	CHECKED	
DO NOT SCALE DRAWING 部分图元可能未按比例绘制	THIS DRAWING IS ONLY FOR YOUR REFERENCE 图上尺寸仅供参考，请以实际产品为准	CUSTOMER		TITLE
		DIMENSIONS ARE IN MILLIMETER		Sealed Enclosure
		DWG. NO.	01.012B	REV.
		PROJECTION TYPE		SHEET 1 OF 1 SIZE A3