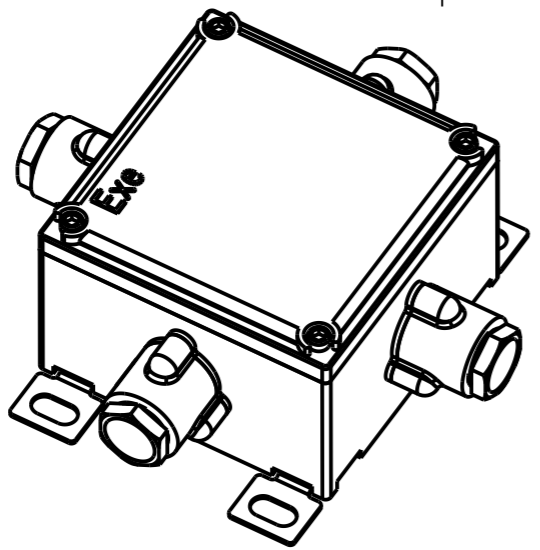
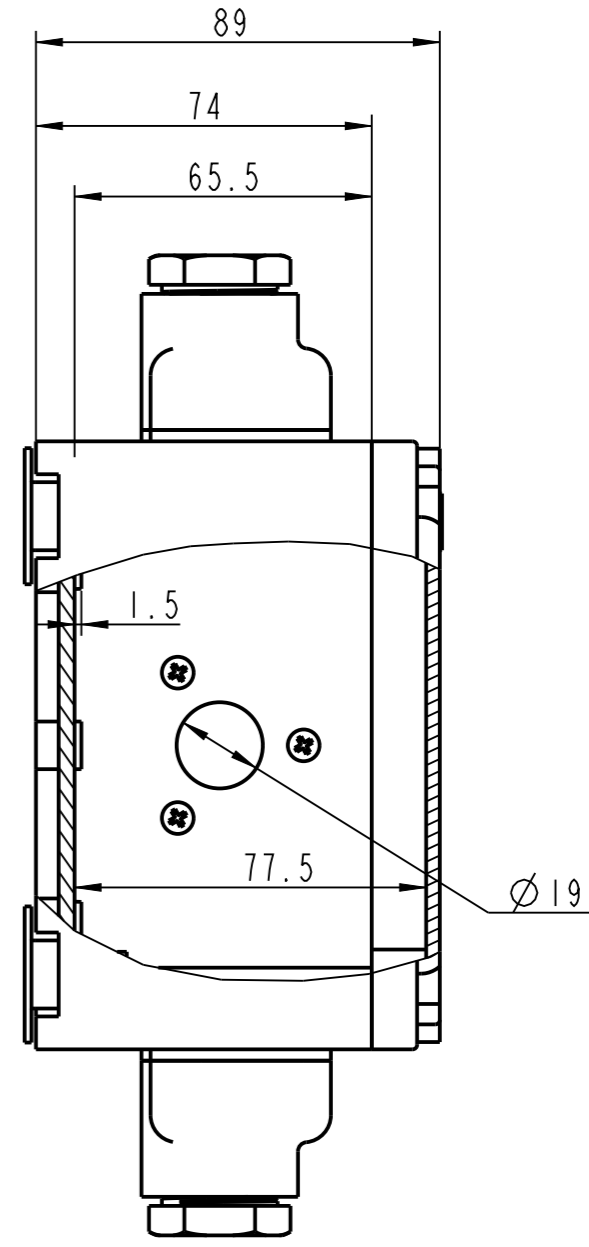
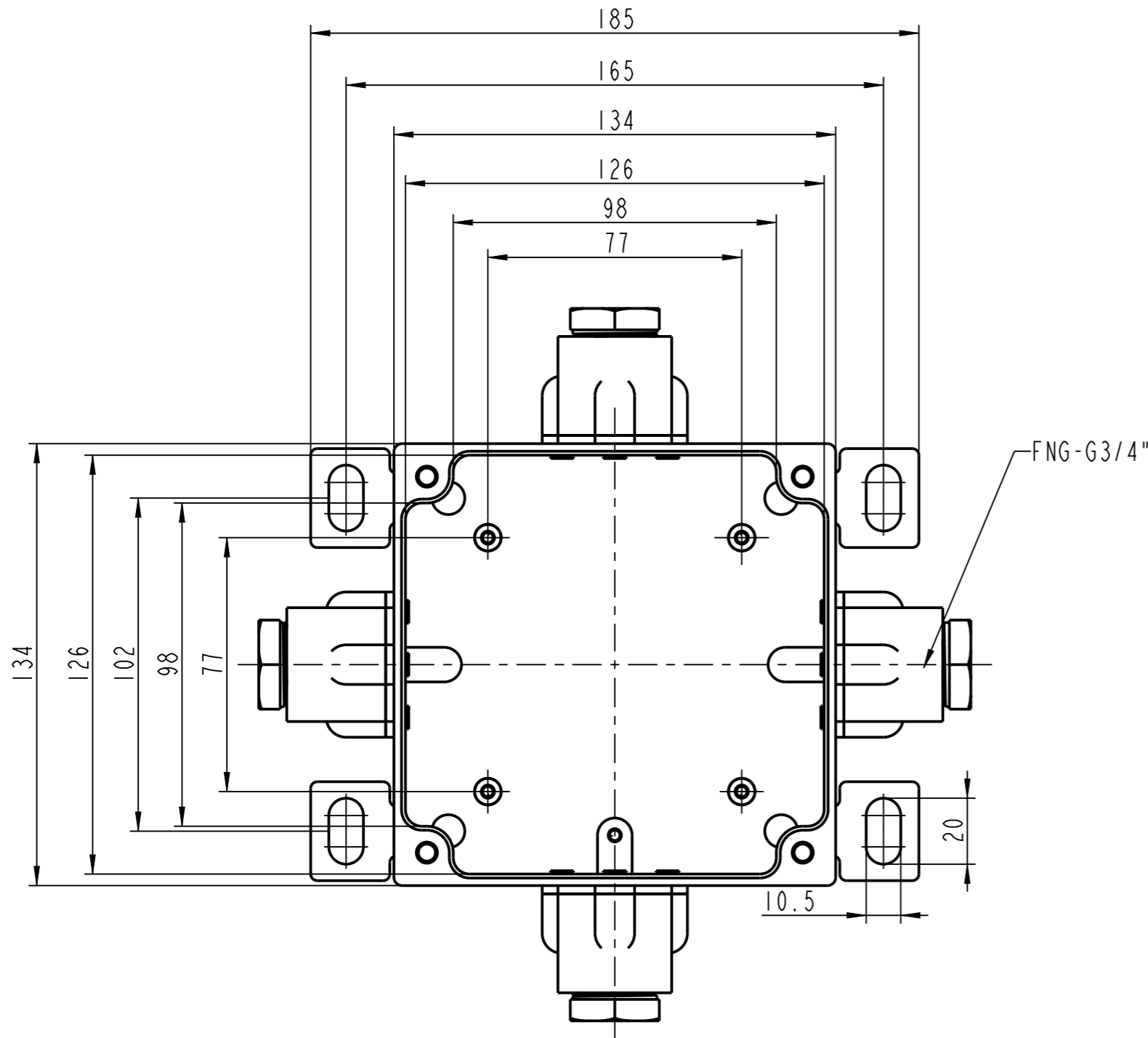


PROPRIETARY INFORMATION
 THIS DRAWING IS THE PROPERTY OF BOXTECH ELECTRICAL.
 DISCLOSURE OR REPRODUCTION OF THE INFORMATION ON
 THIS DRAWING IS PROHIBITED WITHOUT PRIOR WRITTEN
 CONSENT OF BOXTECH ELECTRICAL.

REVISIONS			DATE	BY
E.C.O.	ZONE	REV.	DESCRIPTION	



BOXTECH ®	MATERIAL	SIAL12	APPROVALS	DATE	重庆博新泰克电气有限公司 ChungKing BoxTech Electrical Co., Ltd.
	COLOR	Grey	DRAWN	CHECKED	
DO NOT SCALE DRAWING 部分图元可能未按比例绘制	THIS DRAWING IS ONLY FOR YOUR REFERENCE 图上尺寸仅供参考 请以实物产品为准		CUSTOMER	TITLE	
DIMENSIONS ARE IN MILLIMETER			DWG. NO. BJX131309-6D-X PROJECTION TYPE		REV. SHEET 1 OF 1 SIZE A3