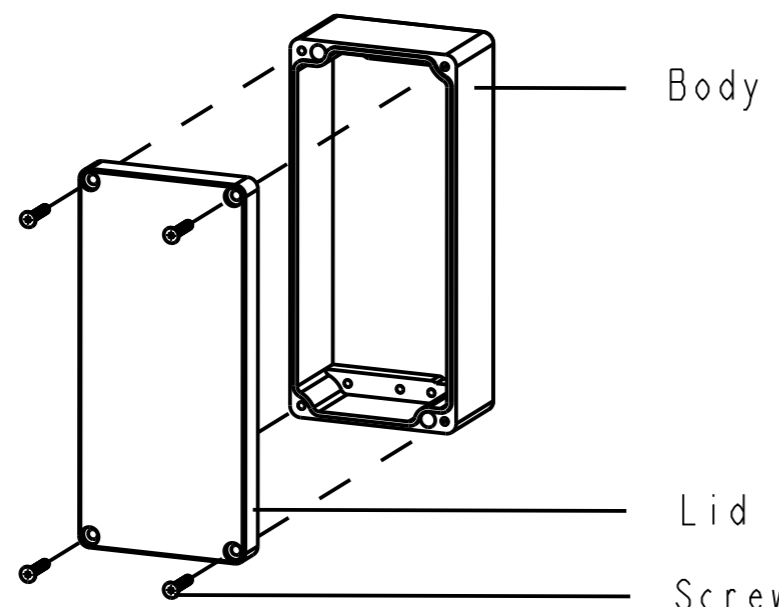
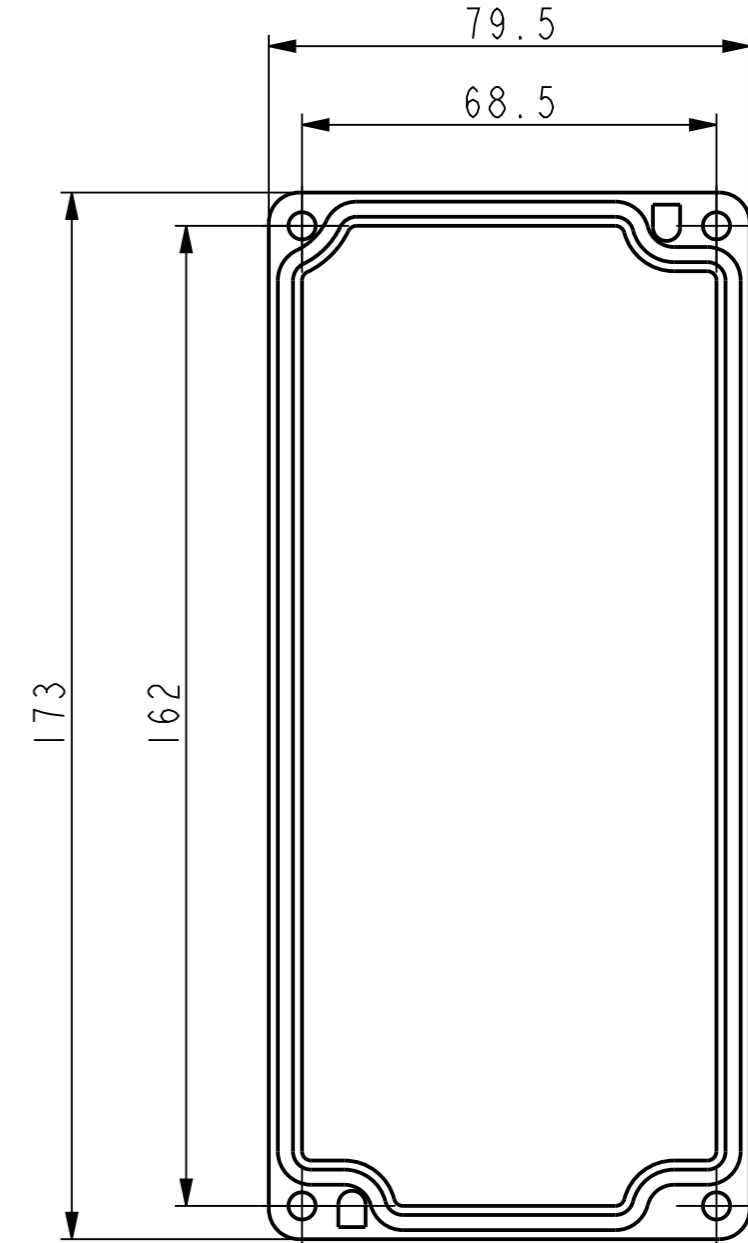
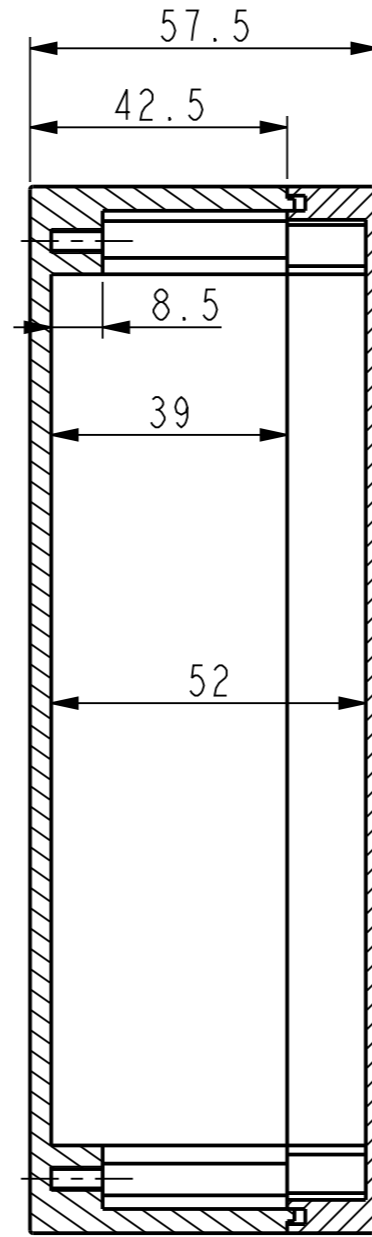
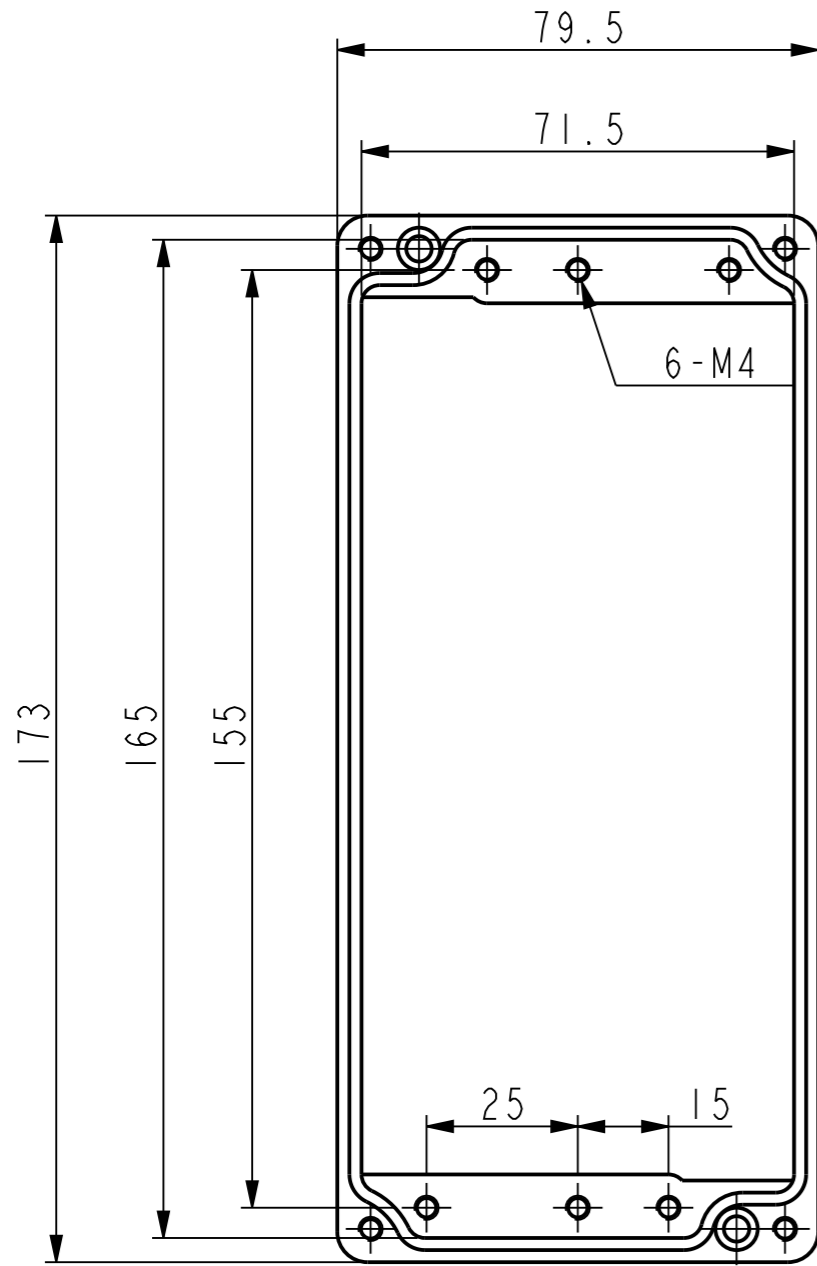


PROPRIETARY INFORMATION
 THIS DRAWING IS THE PROPERTY OF BOXTECH ELECTRICAL.
 DISCLOSURE OR REPRODUCTION OF THE INFORMATION ON
 THIS DRAWING IS PROHIBITED WITHOUT PRIOR WRITTEN
 CONSENT OF BOXTECH ELECTRICAL.

| REVISIONS | | | |
|-----------|------|------|-------------|
| E.C.O. | ZONE | REV. | DESCRIPTION |
| | | | |
| | | | |
| | | | |



| | | | | | |
|--------------------------------------|--|------------|-----------------|--------------------------|---|
| BOXTECH® | MATERIAL | ZL102 | APPROVALS | DATE | 重庆博新泰克电气有限公司 Chongqing BoxTech Electrical Co., Ltd. |
| | COLOR | Light Grey | DRAWN | CHECKED | |
| DO NOT SCALE DRAWING 部分图元可能未按比例绘制 | THIS DRAWING IS ONLY FOR YOUR REFERENCE 图上市寸仅供参考 请以实物产品为准 | | CUSTOMER | TITLE Aluminum enclosure | |
| DIMENSIONS ARE IN MILLIMETER | | | DWG. NO. | 04.015A | REV. |
| | | | PROJECTION TYPE | | SHEET 1 OF 1 SIZE A3 |