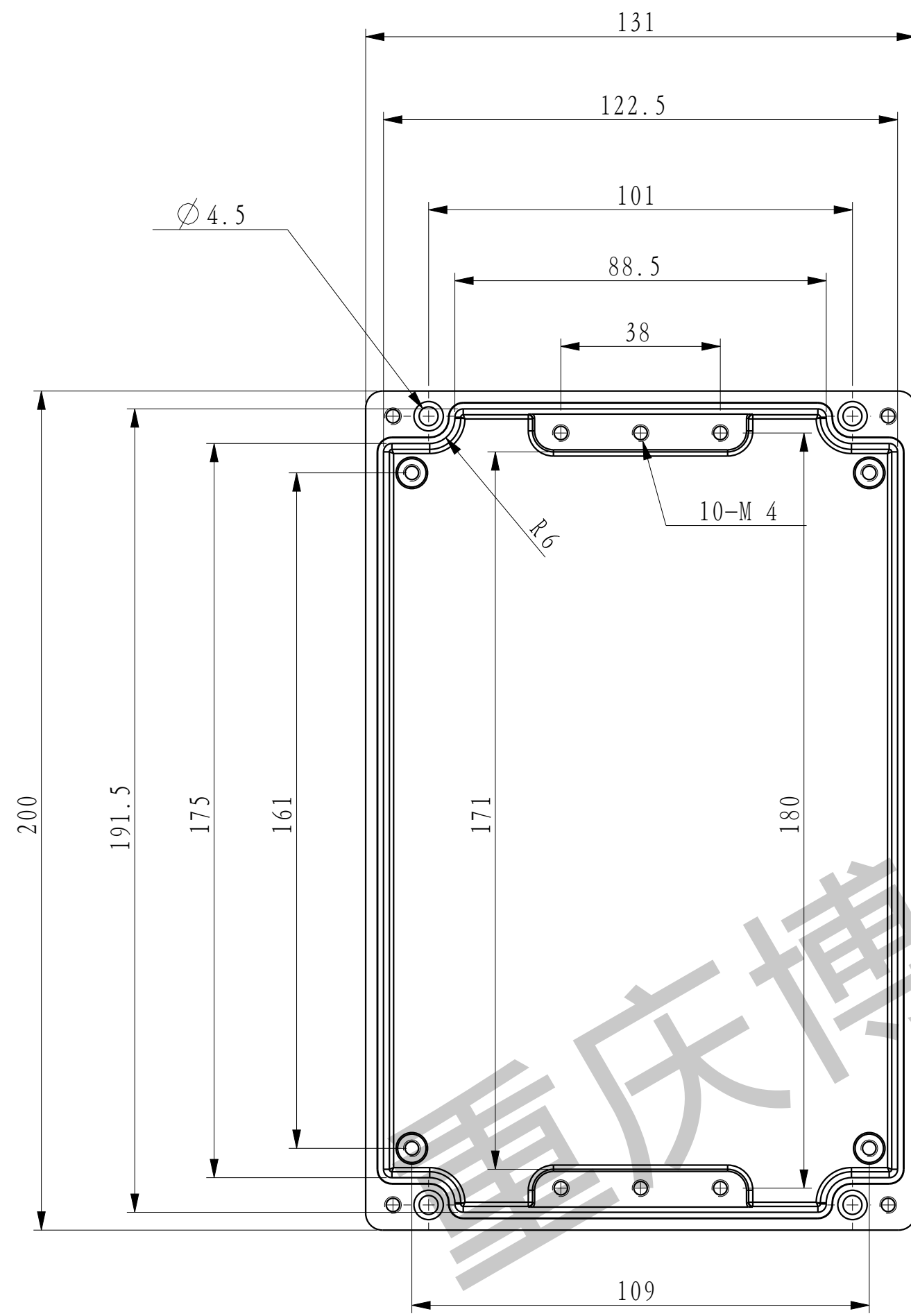
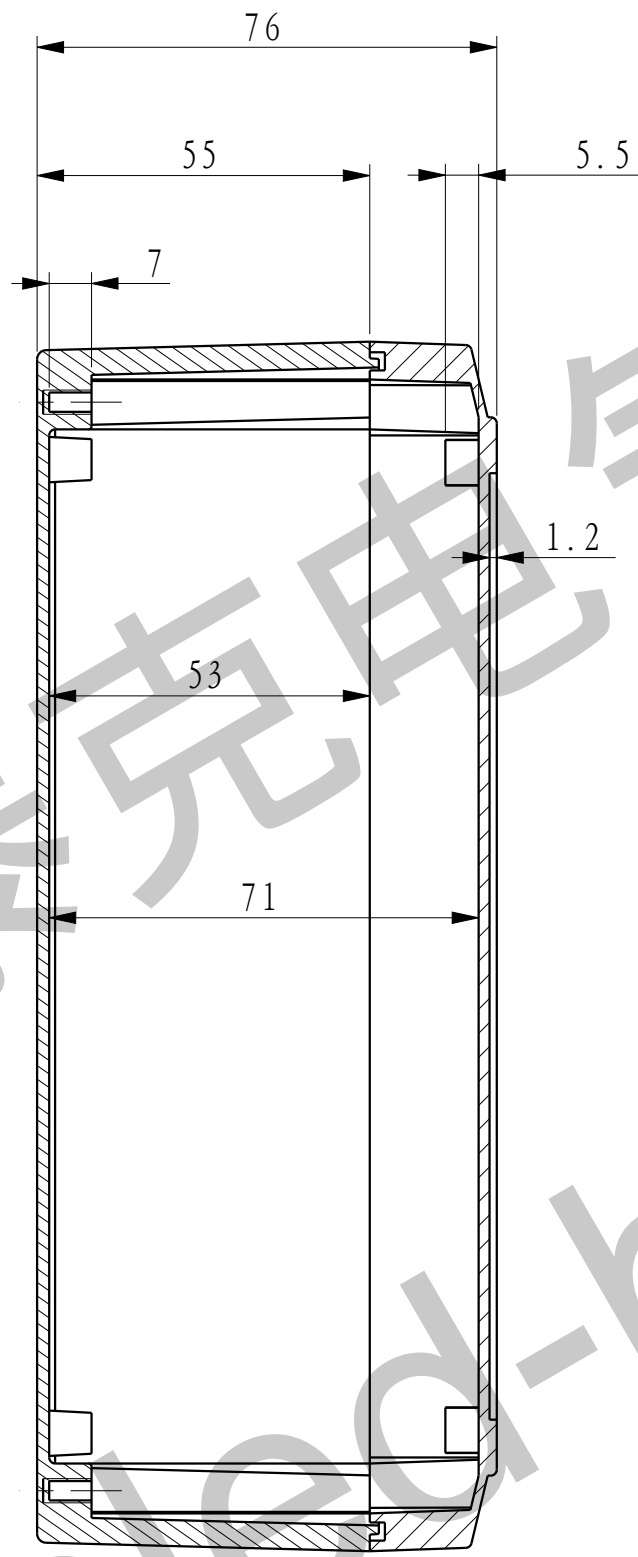


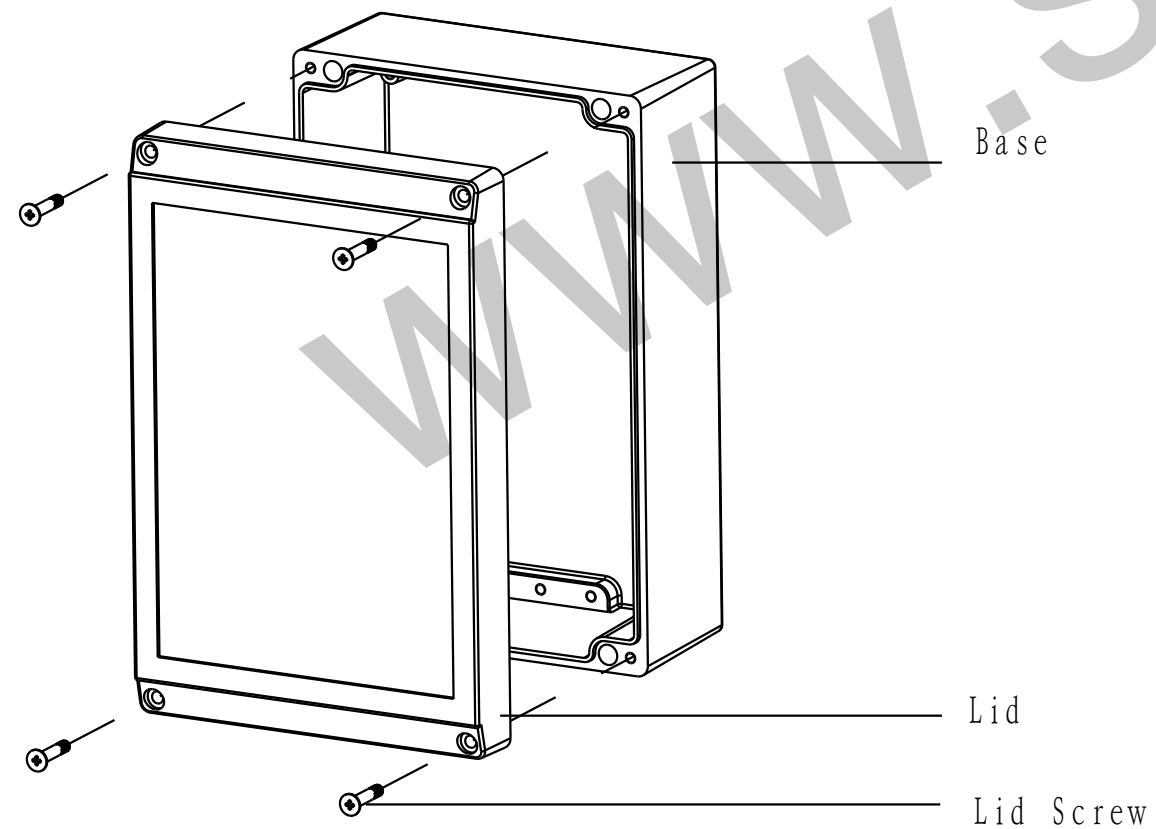
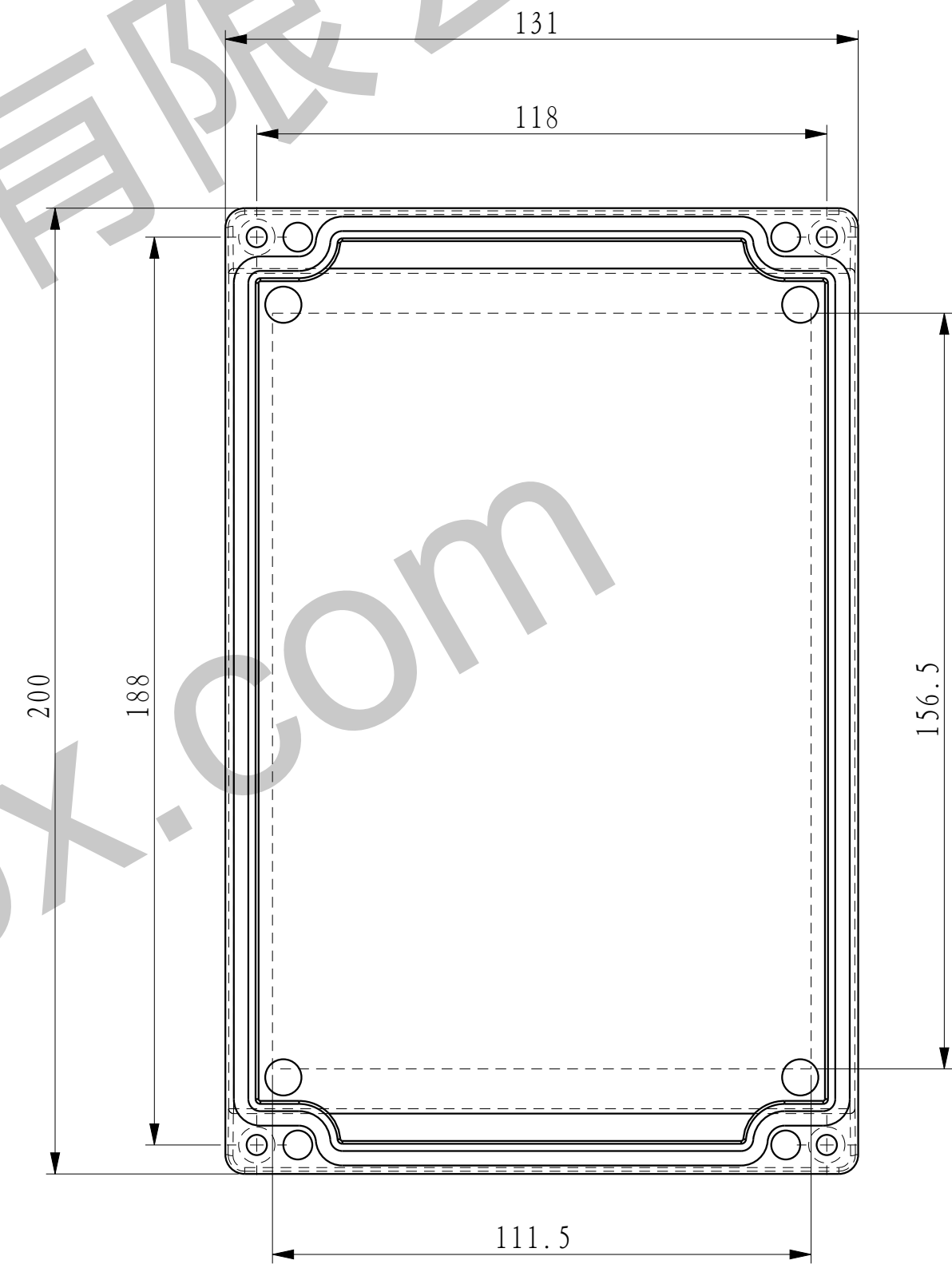
PROPRIETARY INFORMATION			REVISIONS					
THIS DRAWING IS THE PROPERTY OF BOXTECH ELECTRICAL. DISCLOSURE OR REPRODUCTION OF THE INFORMATION ON THIS DRAWING IS PROHIBITED WITHOUT PRIOR WRITTEN CONSENT OF BOXTECH ELECTRICAL.			E.C.O.	ZONE	REV.	DESCRIPTION	DATE	BY



Top View With Removed Lid



Section View Of ASM.



BOXTECH	MATERIAL AlSi12	APPROVALS DRAWN	DATE	重庆博斯泰克电气有限公司 ChungKing BoxTech Electrical Co., Ltd.
	COLOR Grey	CHECKED		
DO NOT SCALE DRAWING 部分图元可能未按比例绘制	THIS DRAWING IS ONLY FOR YOUR REFERENCE 图上尺寸仅供参考, 请以实际产品为准	CUSTOMER	TITLE Aluminum Enclosure	
		DIMENSIONS ARE IN MILLIMETER		DWG. NO. 04.007E
		PROJECTION TYPE	第一角投影	SHEET 1 OF 1
				REV.
				SIZE A2