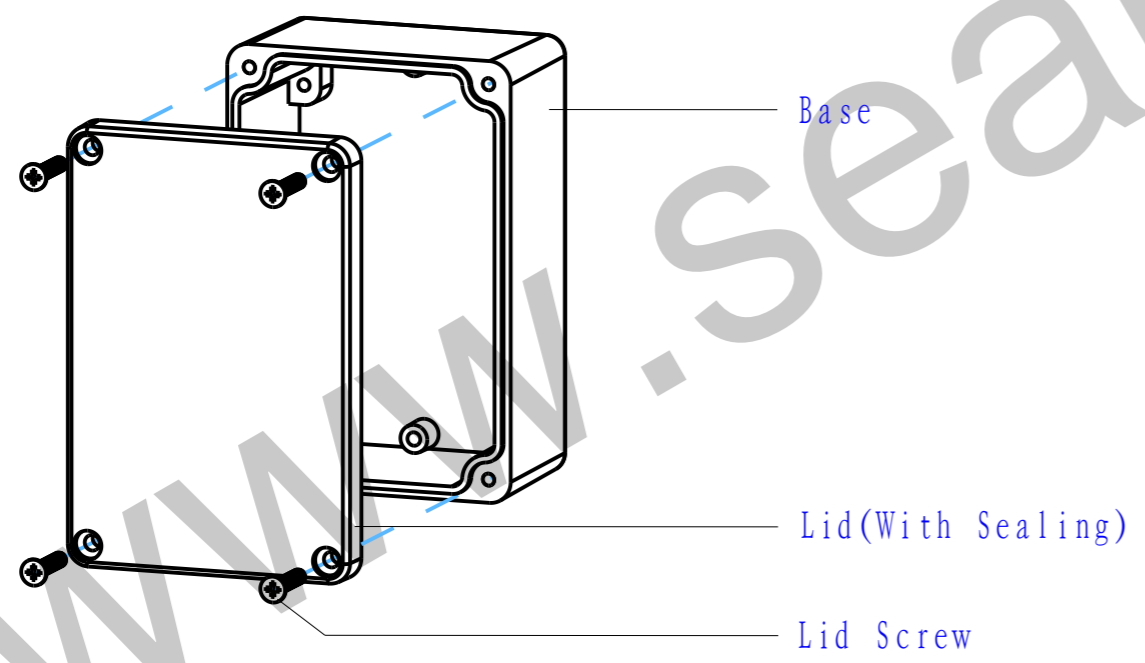
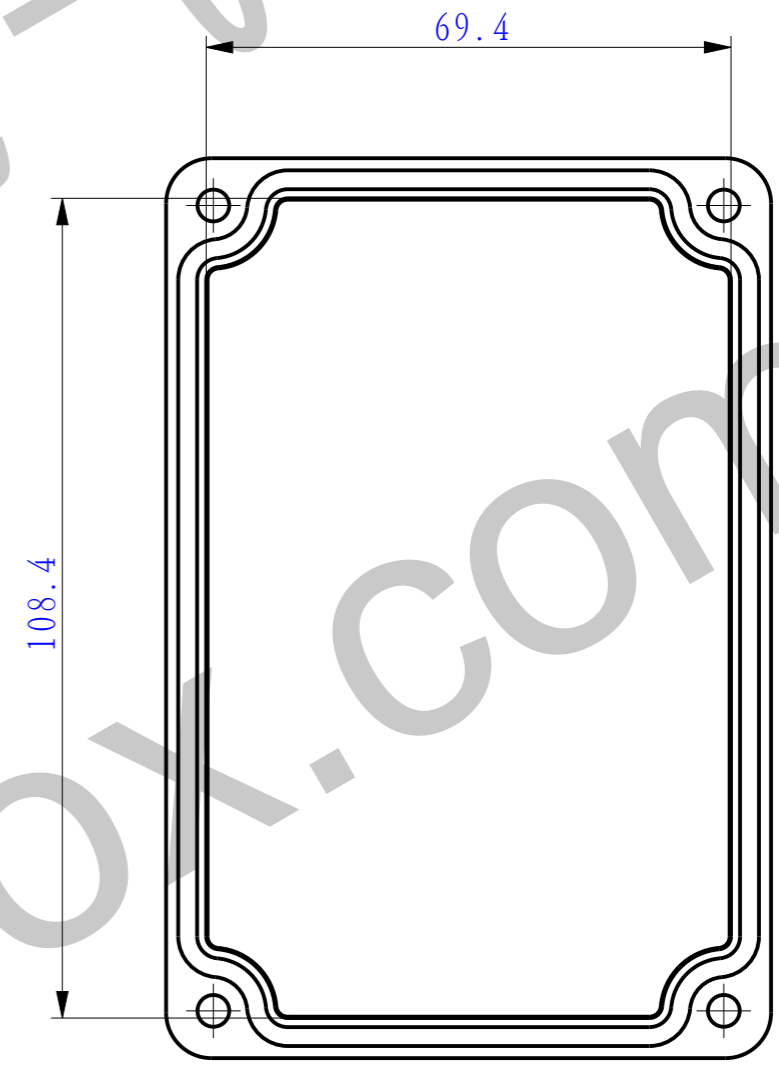
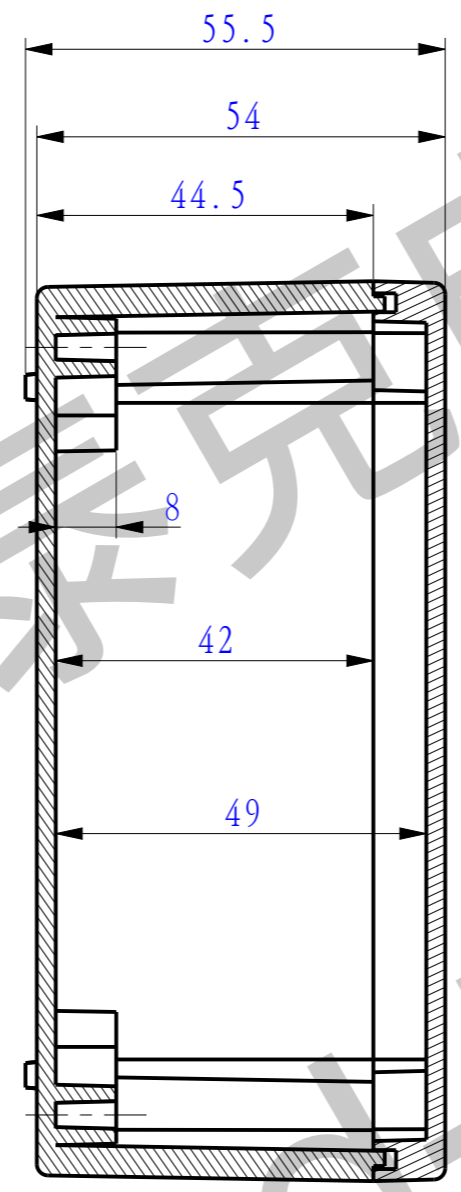
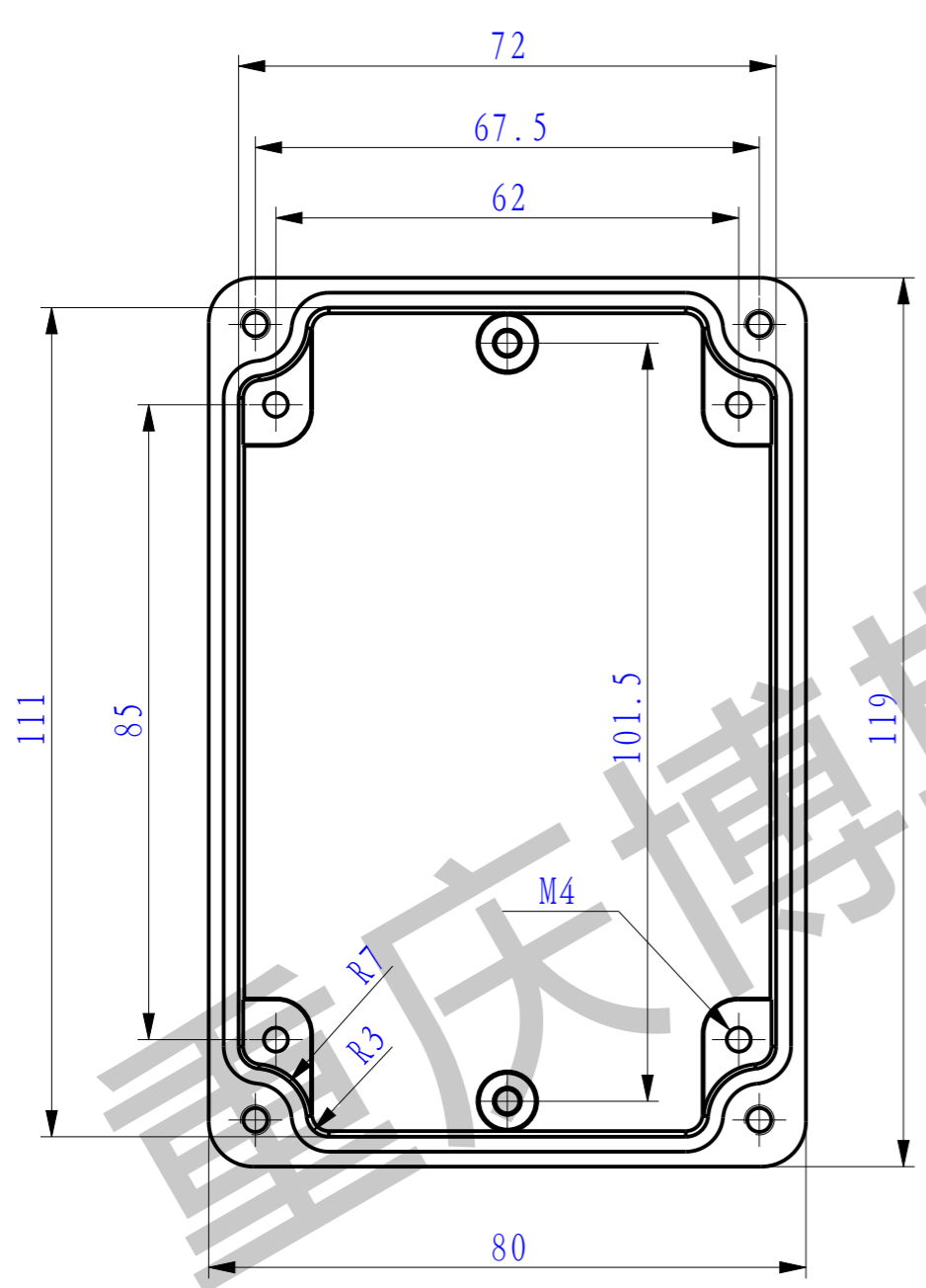


PROPRIETARY INFORMATION			REVISIONS			
THIS DRAWING IS THE PROPERTY OF BOXTECH ELECTRICAL. DISCLOSURE OR REPRODUCTION OF THE INFORMATION ON THIS DRAWING IS PROHIBITED WITHOUT PRIOR WRITTEN CONSENT OF BOXTECH ELECTRICAL.			E.C.O.	ZONE	REV.	DATE
						BY



	MATERIAL	AlSi12	APPROVALS	DATE	重庆博斯泰克电气有限公司 ChungKing BoxTech Electrical Co., Ltd.
	COLOR	Light Grey	DRAWN		
DO NOT SCALE DRAWING 部分图元可能未按比例绘制	THIS DRAWING IS ONLY FOR YOUR REFERENCE 图上尺寸仅供参考, 请以实际产品为准	DIMENSIONS ARE IN MILLIMETER	CHECKED		TITLE
			CUSTOMER		Aluminium Enclosure
					DWG. NO.
					04.004C
					PROJECTION TYPE
					1 OF 1
					REV.
					SIZE
					A3