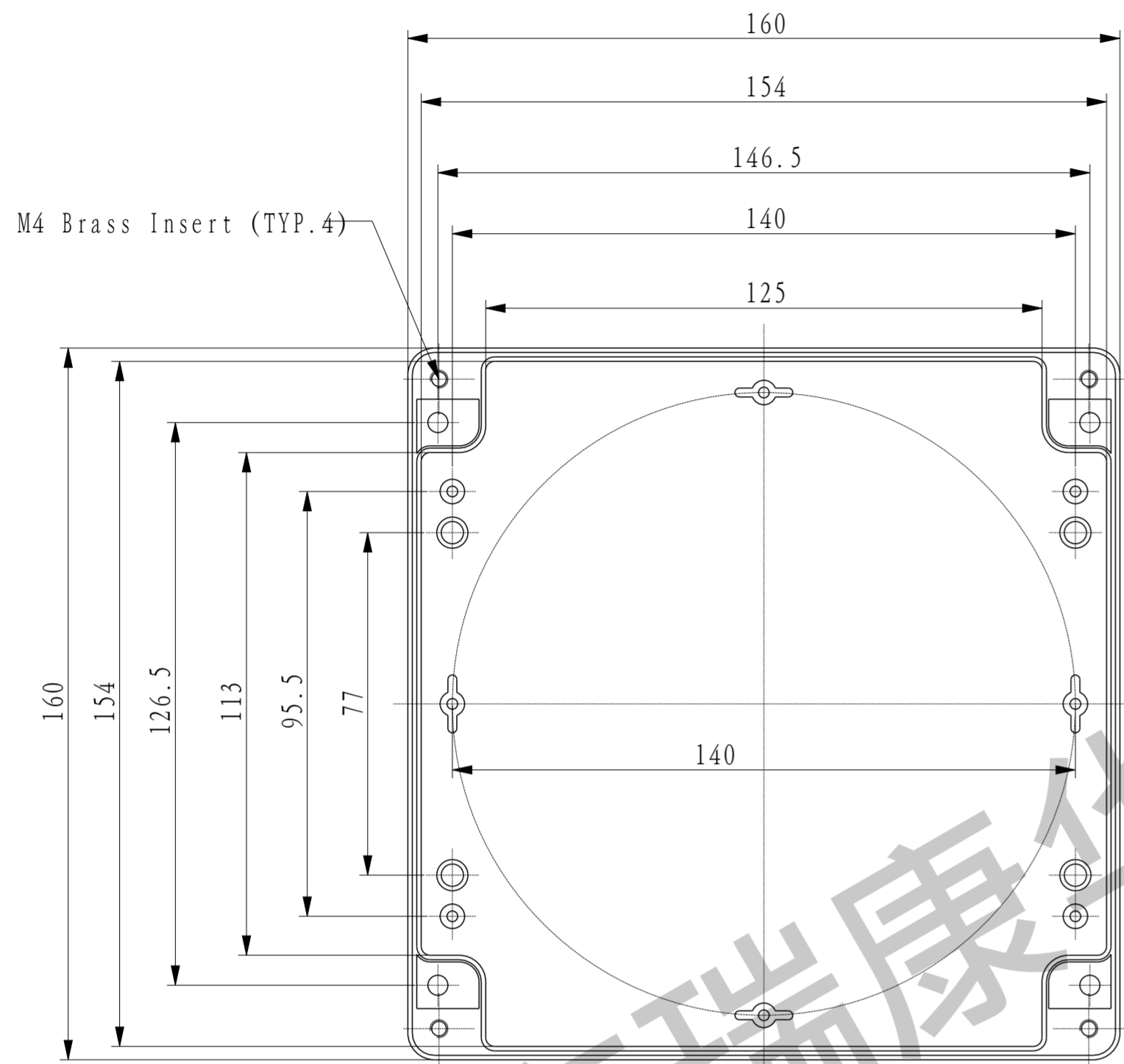
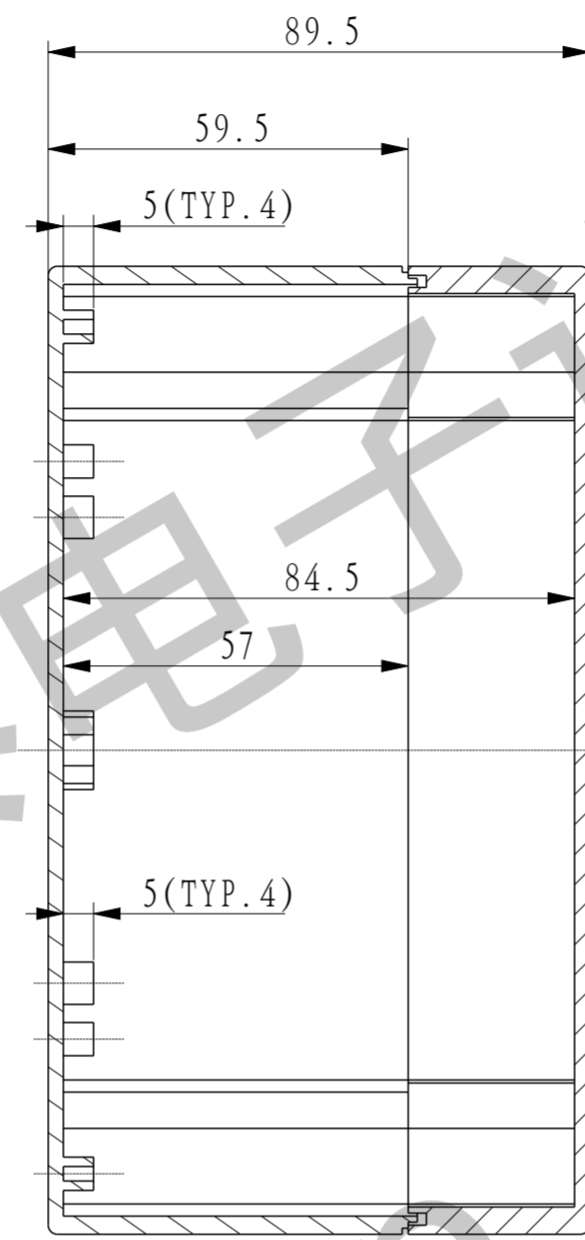


PROPRIETARY INFORMATION
 THIS DRAWING IS THE PROPERTY OF REICON ENCLOSURES.
 DISCLOSURE OR REPRODUCTION OF THE INFORMATION ON
 THIS DRAWING IS PROHIBITED WITHOUT PRIOR WRITTEN
 CONSENT OF REICON ENCLOSURES.

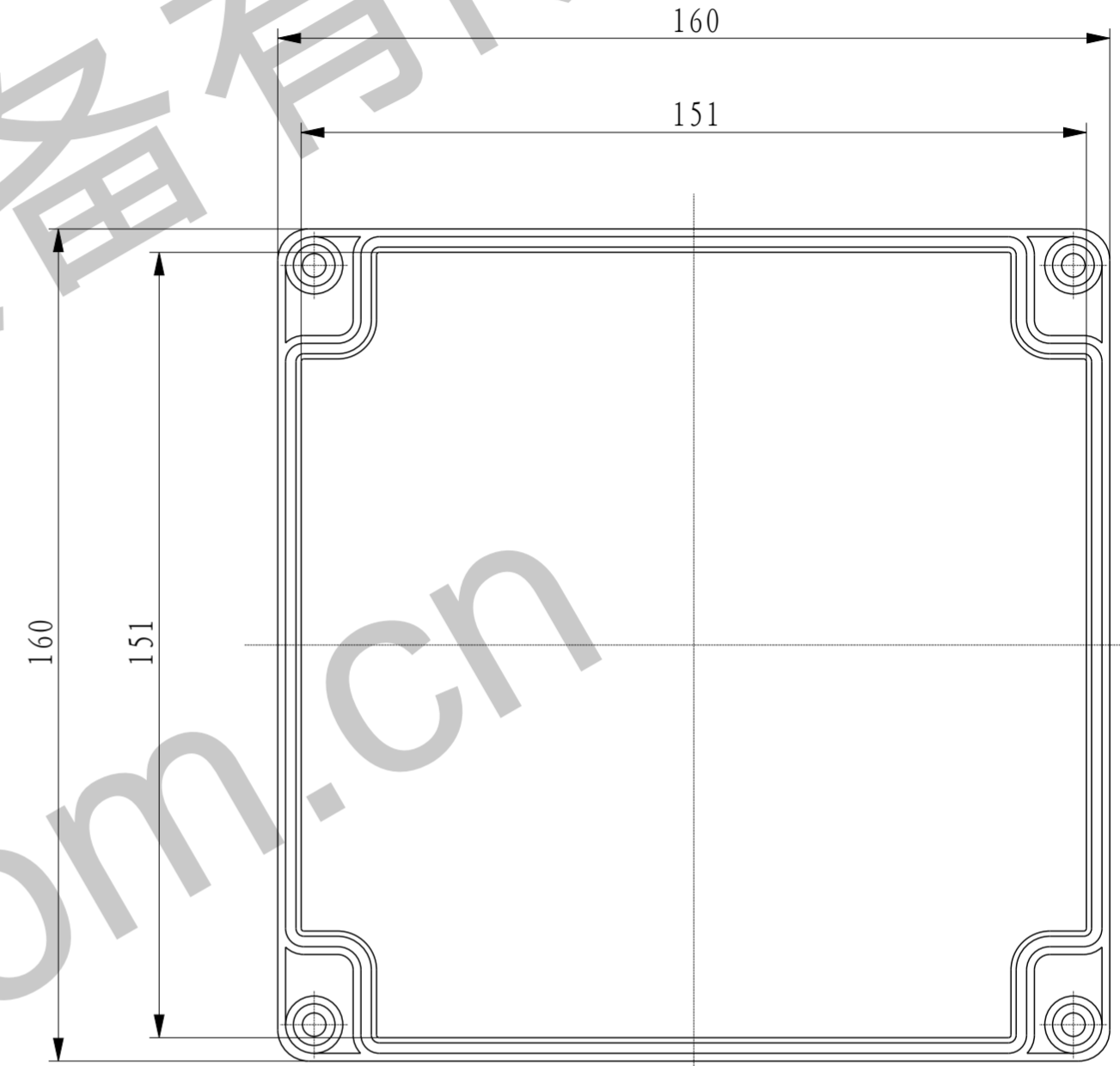
REVISIONS			DESCRIPTION	DATE	BY
E.C.O.	ZONE	REV.			



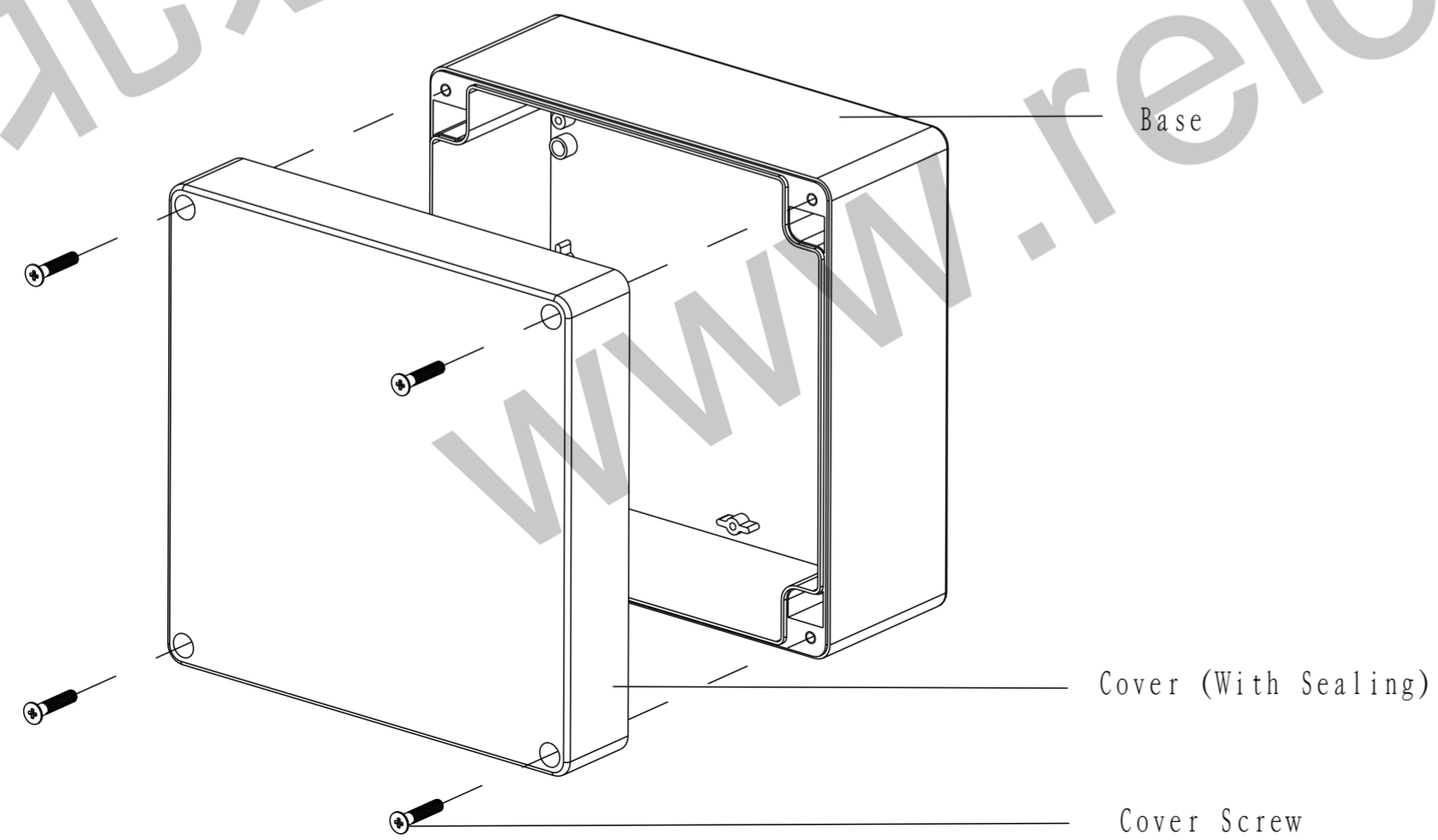
Top View With Removed Cover



Section View Of ASM.



Bottom View With Removed Base



Technical Data

- IP Rating: IP65(IEC-60529)
- IK Rating: IK07(EN-50102)
- Temperature Range: -20℃—70
- Flamability: UL94-HB
- Surface Resistance: >10x10¹⁰Ω

http://www.reicon.com.cn	MATERIAL	ABS	APPROVALS	DATE	北京瑞康华泰电子设备有限公司 REICON BEIJING REICON ELECTRONICS EQUIPMENT CO., LTD.
	COLOR	BEIGE	DRAWN	CHECKED	
DO NOT SCALE DRAWING 部分图元可能未按比例绘制	THIS DRAWING IS ONLY FOR YOUR REFERENCE 图上尺寸仅供参考, 请以实际产品为准		CUSTOMER	TITLE	
	DIMENSIONS ARE IN MILLIMETER			DWG. NO.	01.061A
			PROJECTION TYPE	1 OF 1	SHEET 1 OF 1